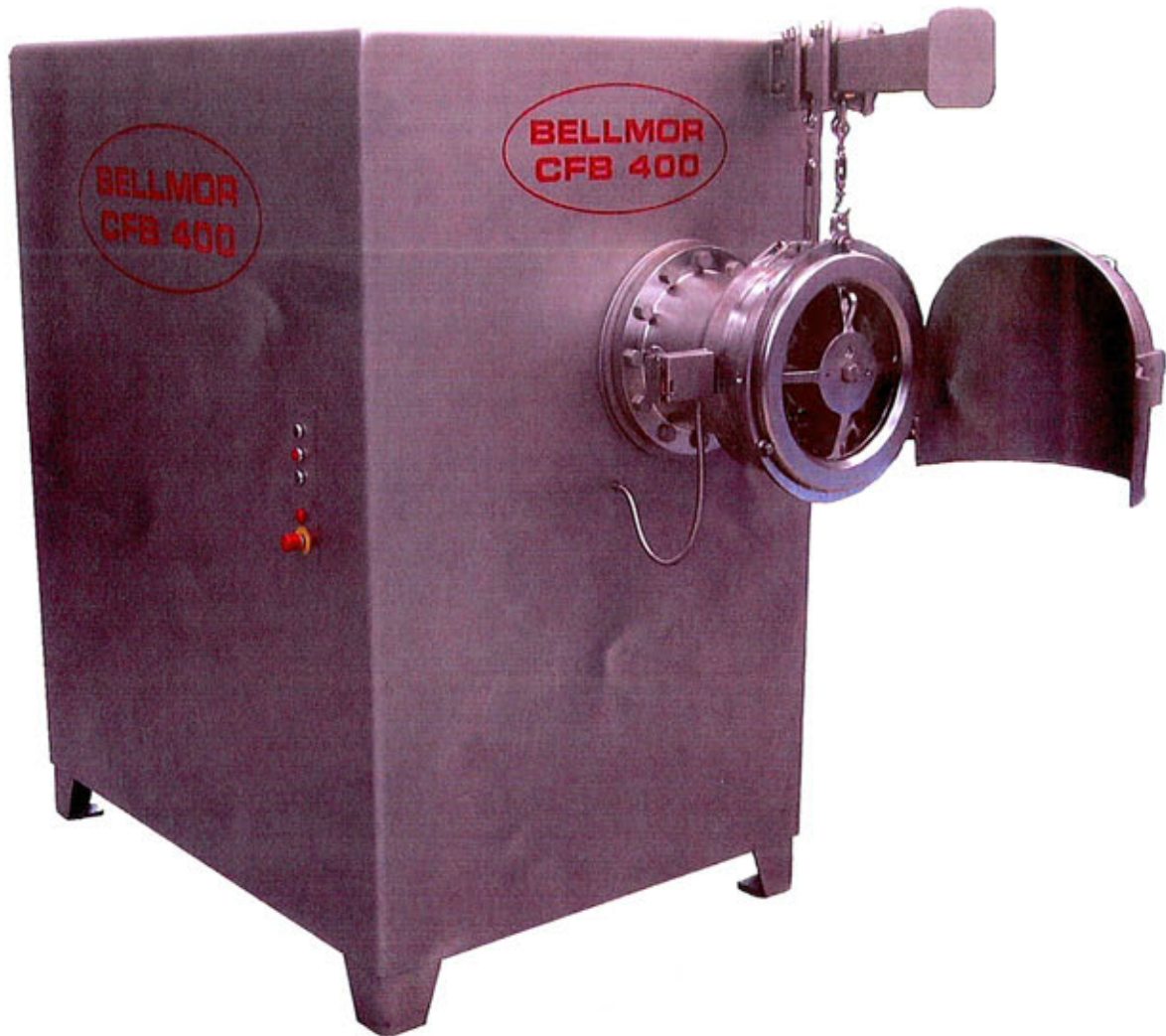




## ***B400 GRINDER***



**\*\* The ROME Model B400 Grinder in Stainless Steel Construction. With over 30 years experience in the industry, Rome has been delivering the highest quality products and service in North America. To see how the B400 Grinder can increase your production, call us today.**

# **PROVEN QUALITY & PERFORMANCE**

# B4000 GRINDER

## Application

Designed for High throughput of  
Meat / Fish 27kg Frozen Blocks &  
Other Frozen Products.  
Temperature from **-4 F**

## Standard Specifications

- All Stainless Steel Construction
- Bead Blast Finish
- Heavy Duty Feed Screw  
Incorporating a Two Bladed Knife  
Holder With Replaceable Knives
- Heavy Duty Roller Bearing Assembly  
Supporting Feed Screw
- Heavy Duty Fabricated Gearbox  
(Same As SG530 Model)

## Power

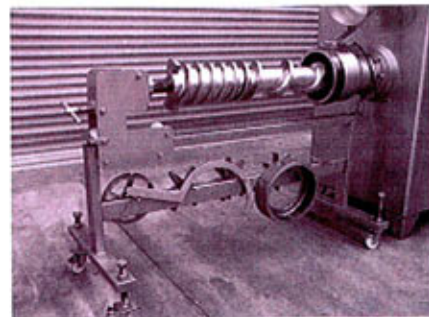
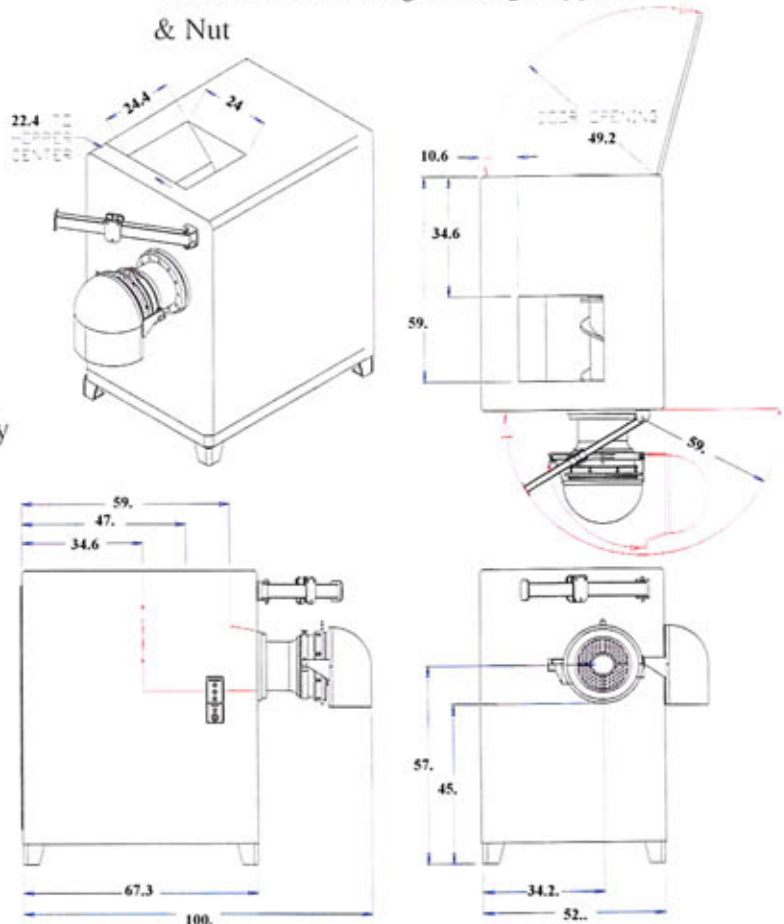
- 150 HP Motor
- Guard Master Safety Switches

## Weight

- Net: 9,925 lbs.

## Options

- Polish Finish
- Parts Trolley & Worm Extractor
- Jib Crane for Lifting Bearing Support  
& Nut



**\*\* Call Rome, Ltd. today to see how the New B530 Grinder can increase your production and reduce your operating cost.**

**1-800-443-0557**

\* New Grinders \*

\* Rebuilding Services \*

\* Speco Parts \*

\* Sales & Service \*