

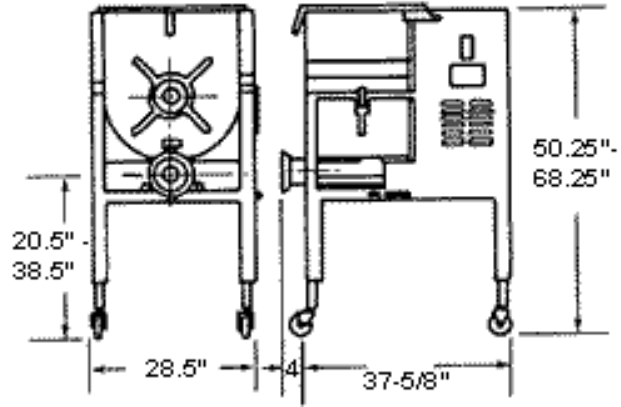


**Hollymatic.**

*The Power Of The Dealer Network*

## Hollymatic 180 Mixer/Grinder

### Specifications:



**180A**

### 175 & 180A Standard Features

- 7-1/2 H.P. motor
- #42 grinder head
- Swing open tub
- Safety interlocked lid
- Front controls
- Adjustable legs
- Meat deflector
- Inspection holes in lid
- Protected electrical system
- Automatic electrical overload reset
- 4 swivel casters with locks

### Optional Features

- 5 H.P. motor (175 GMG)
- 10 H.P. motor (180A GMG)
- #52 grinder head
- Gemini connections
- Pneumatic footswitch
- 2nd grind mixing paddles (180A GMG)
- High elevation legs (180A GMG)

### Performance

- 175 GMG: Final grind-100 lbs. per minute through #52 head
- 180A GMG: Up to 120 lbs. per minute with #52 grinder head and 2nd grind paddles

### Net Weight

- 530 lbs. (175 GMG) 825 lbs. (180A GMG)

### Available Voltages

|                                                            |                        | <b>175 GMG</b> | <b>180A GMG</b> |
|------------------------------------------------------------|------------------------|----------------|-----------------|
| 5 H.P.                                                     | 200V, 60Hz, 3 ph       | 16.2A          | N/A             |
|                                                            | 230/460 V, 60 Hz, 3 ph | 14.2/7.1 A     | N/A             |
| 7 1/2 H.P.                                                 | 200V, 60Hz, 3 ph       | 22.9 A         | 25A             |
|                                                            | 230/460 V, 60 Hz, 3 ph | 19.6/9.8 A     | 22/11 A         |
| 10 H.P.                                                    | 200V, 60Hz, 3 ph       | N/A            | 31 A            |
|                                                            | 230/460 V, 60 Hz, 3 ph | N/A            | 28/14 A         |
| 575 V, 60Hz, 3 ph and 230/380V. 50 Hz, 3ph also available. |                        |                |                 |